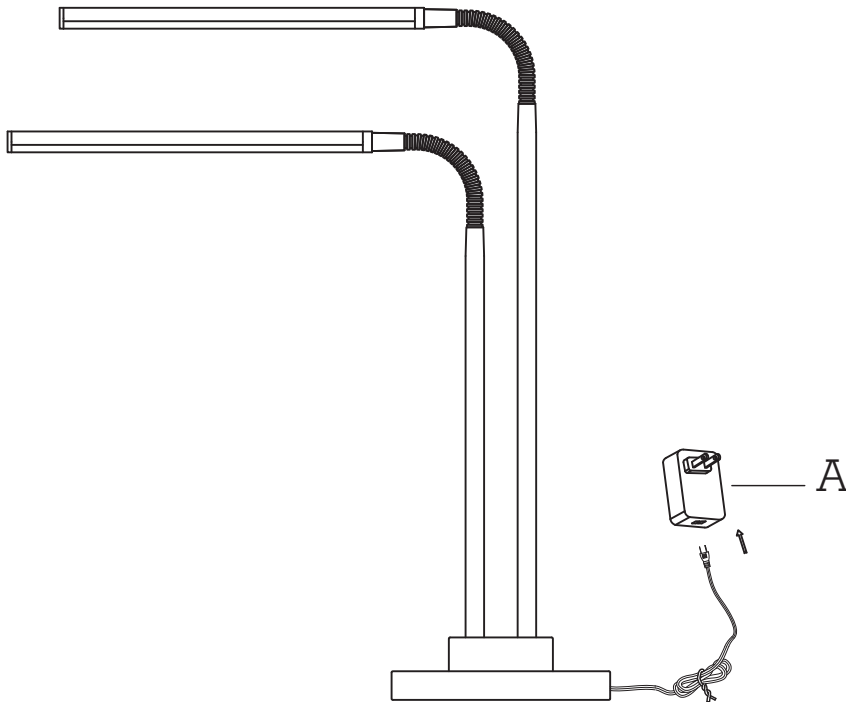


ASSEMBLY INSTRUCTIONS FOR Hydra LED Table Lamp

3048-22 1.0

Model # 3048-22



1. Remove all parts and lay on a flat surface.
2. Assemble the transformer(A) and plug in.

GENERAL PRODUCT INFORMATION:

This product is suitable
for dry locations only.



LED : (2) 5 watt LED included.

PARTS DIAGRAM:

- (1) Transformer(K)

GET INSPIRED. SHARE YOUR STYLE.

#myadesso

Visit www.adessohome.com for details.