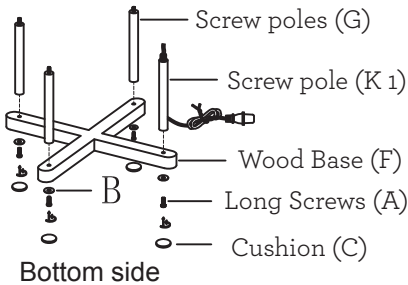


# ASSEMBLY INSTRUCTIONS FOR Harrison Shelf Floor Lamp

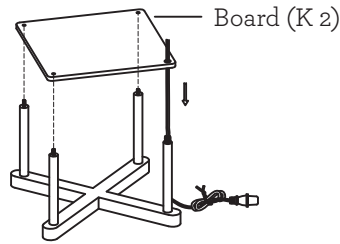
3183-21 1.0  
3183-22

Model # 3183-21  
3183-22

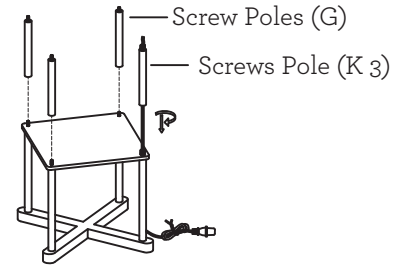
## Step 1. Assemble from bottom side



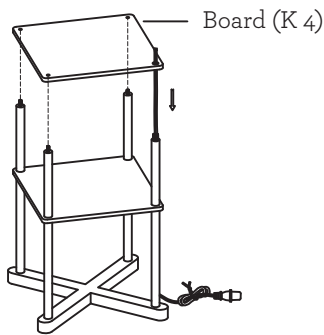
## Step 2.



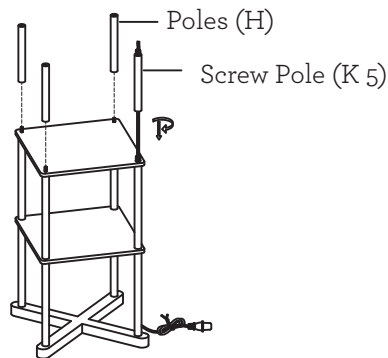
## Step 3.



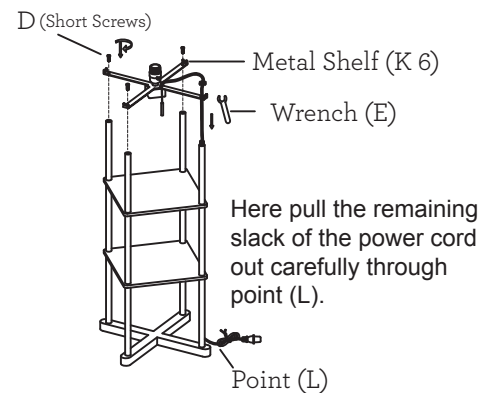
## Step 4.



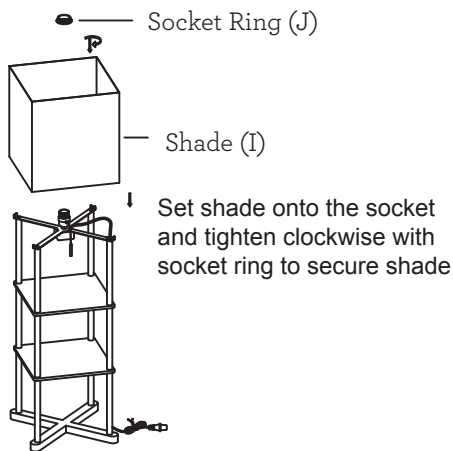
## Step 5.



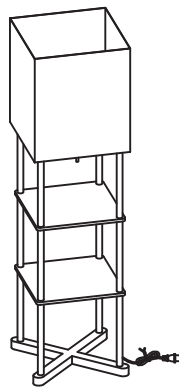
## Step 6.



## Step 7.



## Step 8.



**Caution:**  
Load max weight 6 pounds

### GENERAL PRODUCT INFORMATION:

This product is suitable for dry locations only.



### IMPORTANT SAFETY INSTRUCTIONS:

This portable lamp has a polarized plug (one blade is wider than the other) as a feature to reduce the risk of electric shock. This plug will fit in a polarized outlet only one way. If the plug does not fit fully in the outlet, reverse the plug. If it still does not fit, contact a qualified electrician. Never use with an extension cord unless plug can be fully inserted. **DO NOT ALTER THE PLUG.**

BULB TYPE: (1) 150 watt incandescent or 42 watt CFL equivalent (not included)

A (Long Screw)	B (Metal Piece)	C (Cushion)	D (Short Screw)	E (Wrench)	K
4 PCS	4 PCS	4 PCS	3 PCS	1 PC	6 5 4 3 2 1
F (Wood Base)	G (Screw pole)	H (pole)	I (Shade)	J (Socket Ring)	
1 PC	6 PCS	3 PCS	1 PC	1 PC	