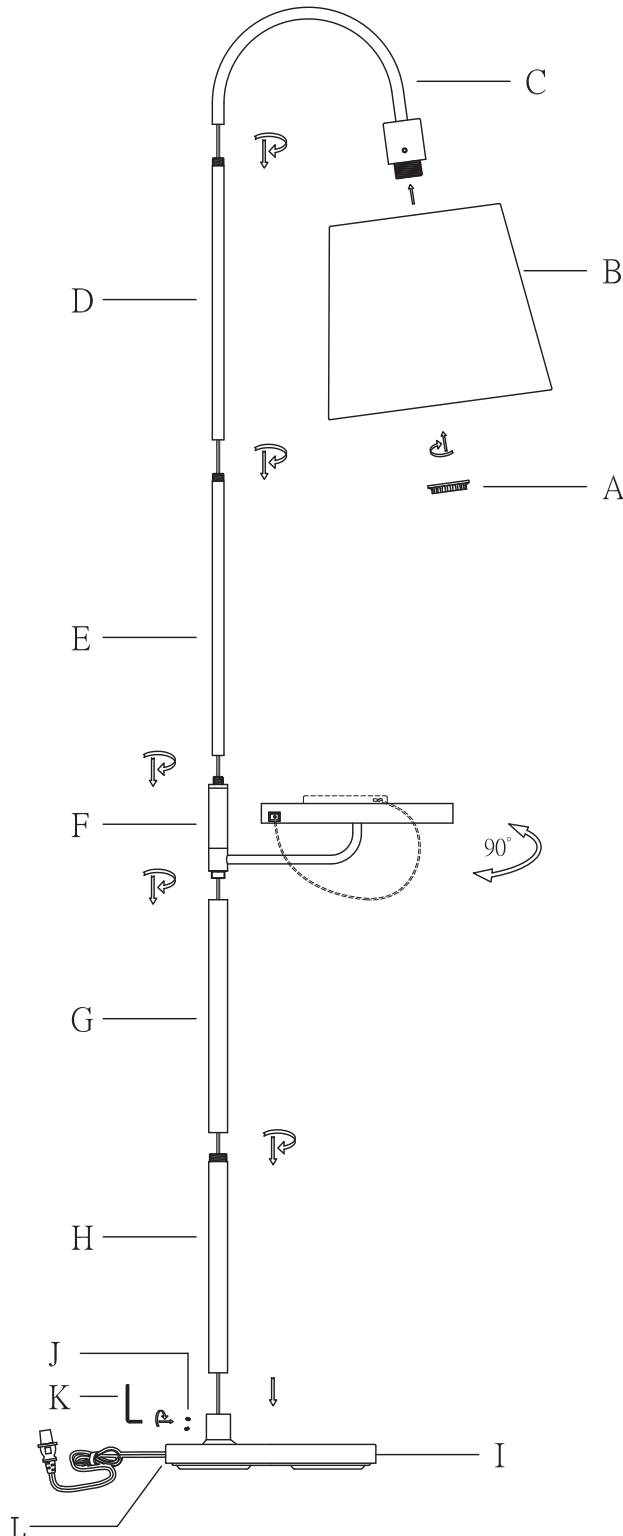


ASSEMBLY INSTRUCTIONS FOR Jeffrey Shelf Floor Lamp

3408-21 1.0

Model # 3408-21



1. Screw the pole (G) clockwise into the pole (H) to tighten.
2. Screw the part (F) clockwise into the pole (G) to tighten.
3. Screw the pole (E) clockwise into the part (F) to tighten.
4. Screw the pole (D) clockwise into the pole (E) to tighten.
5. Screw the pole (C) clockwise into the pole (D) to tighten.
6. Insert pole (H) into base (I) and get the remaining slack of the power cord out carefully from point (L), determine the perfect direction, then fix the pole by two screws (J) with Allen Wrench (K), screws (J) are pre-inserted into the lamp base.
7. Set shade (B) on lamp socket and tighten clockwise with socket ring (A) to secure shade.

GENERAL PRODUCT INFORMATION:

This product is suitable
for dry locations only.



IMPORTANT SAFETY INSTRUCTIONS:

This portable lamp has a polarized plug (one blade is wider than the other) as a feature to reduce the risk of electric shock. This plug will fit in a polarized outlet only one way. If the plug does not fit fully in the outlet, reverse the plug. If it still does not fit, contact a qualified electrician. Never use with an extension cord unless plug can be fully inserted. **DO NOT ALTER THE PLUG.**

BULB TYPE: (1) 150 watt 3-way incandescent or
42 watt CFL equivalent. (not included)

PARTS DIAGRAM:

- (1) allen Wrench (K)
- (2) screws (J)