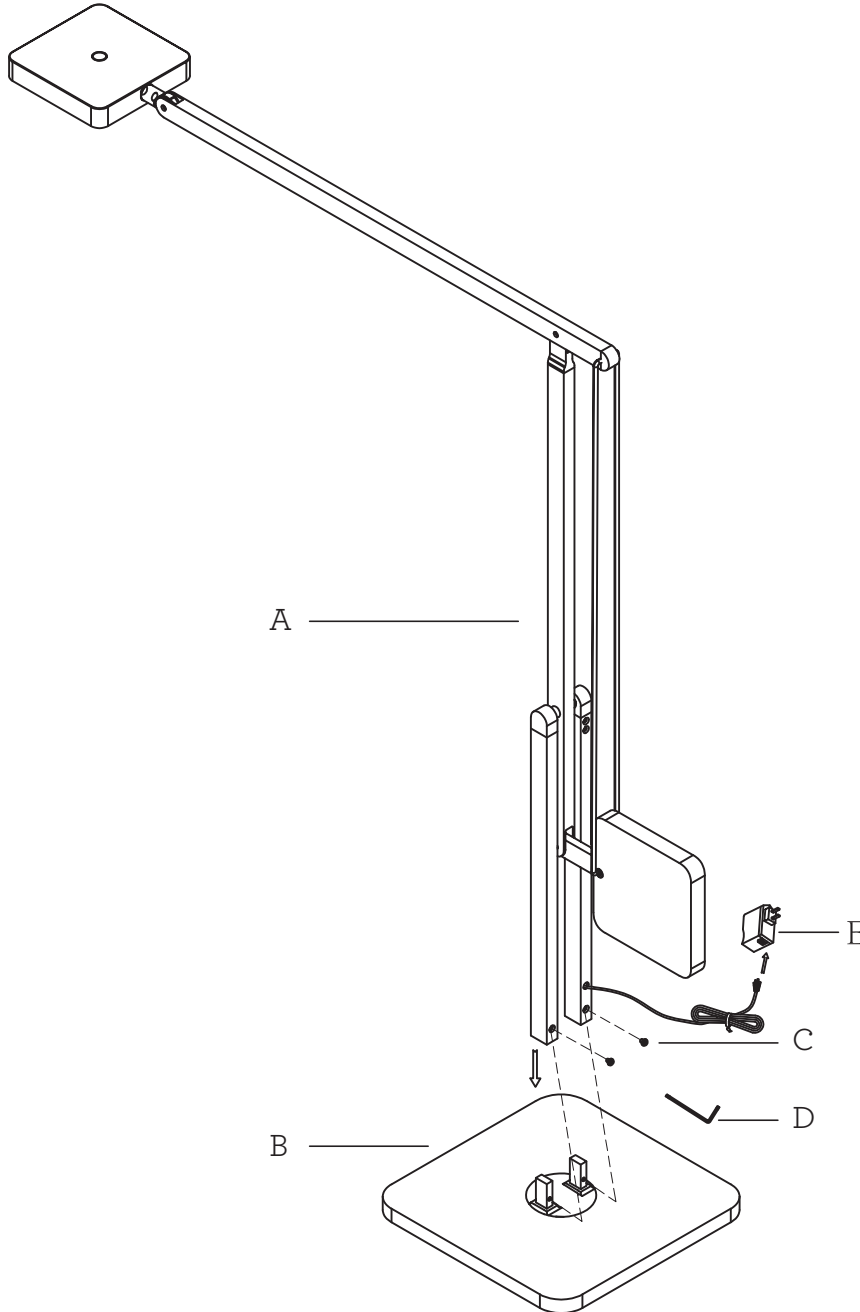


ASSEMBLY INSTRUCTIONS FOR Cooper LED Desk Lamp

Model # AD9130-01 / AD9130-02
AD9130-20 / AD9130-22

AD9130-01
AD9130-02
AD9130-20
AD9130-22

1.0



1. Remove all parts and lay on a flat surface.
2. Insert the lamp body (A) into base (B) and tighten hex screws (C) with hex wrench (D) to secure lamp body to base .
3. Assemble the transformer (E) and plug in .

GENERAL PRODUCT INFORMATION:

This product is suitable
for dry locations only.



BULB TYPE: (1) 9 watt LED included.

PARTS DIAGRAM:

- (1) Hex wrench
- (2) Hex screw

ADS 360