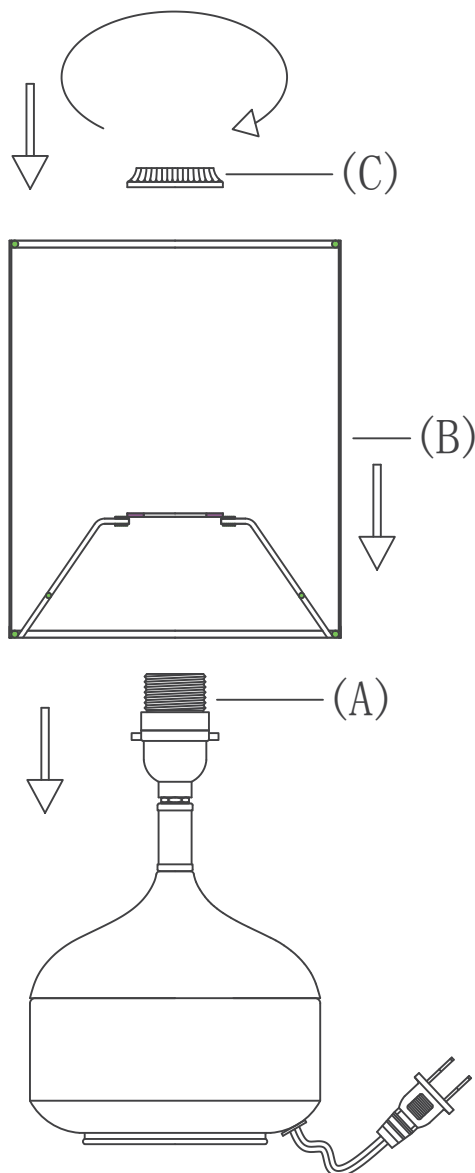


ASSEMBLY INSTRUCTIONS FOR Marina Table Lamp

3526-01 1.0

Model # 3526-01



1. Socket ring comes pre-assembled to the socket (A). Before placing the shade onto the socket, please unscrew this socket ring (C).

2. Set shade (B) on the socket (A) and tighten clockwise with socket ring (C) to secure shade.

GENERAL PRODUCT INFORMATION:

This product is suitable for dry locations only.



IMPORTANT SAFETY INSTRUCTIONS:

This portable lamp has a polarized plug (one blade is wider than the other) as a feature to reduce the risk of electric shock. This plug will fit in a polarized outlet only one way. If the plug does not fit fully in the outlet, reverse the plug. If it still does not fit, contact a qualified electrician. Never use with an extension cord unless plug can be fully inserted. **DO NOT ALTER THE PLUG.**

BULB TYPE: (1) 40 watt incandescent or 13 watt CFL equivalent. (not included)