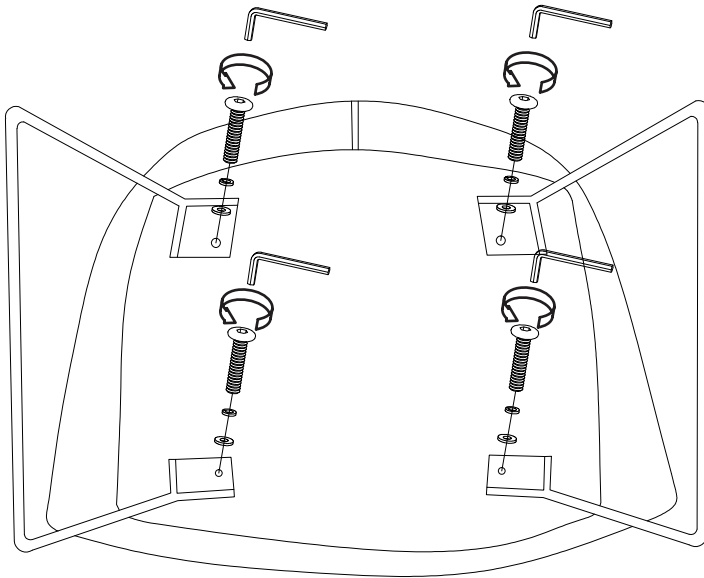



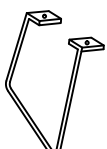

ASSEMBLY INSTRUCTIONS FOR BARTLETT CHAIR

GR2005 1.0

Hardware are packed in Red pp bag.
Please open the box to remove Metal leg & Hardware.

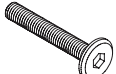
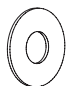

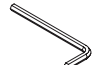


PART LIST

NO	DESCRIPTION	IMAGES	QTY
P1	SEATER		1
P2	METALLEG		1
P3	METALLEG		1



PARTS DIAGRAM:

DESCRIPTION	IMAGES	QTY
ALLEN BOLT		4
FLAT WASHER		4
SPRING WASHER		4
ALLEN KEY		1